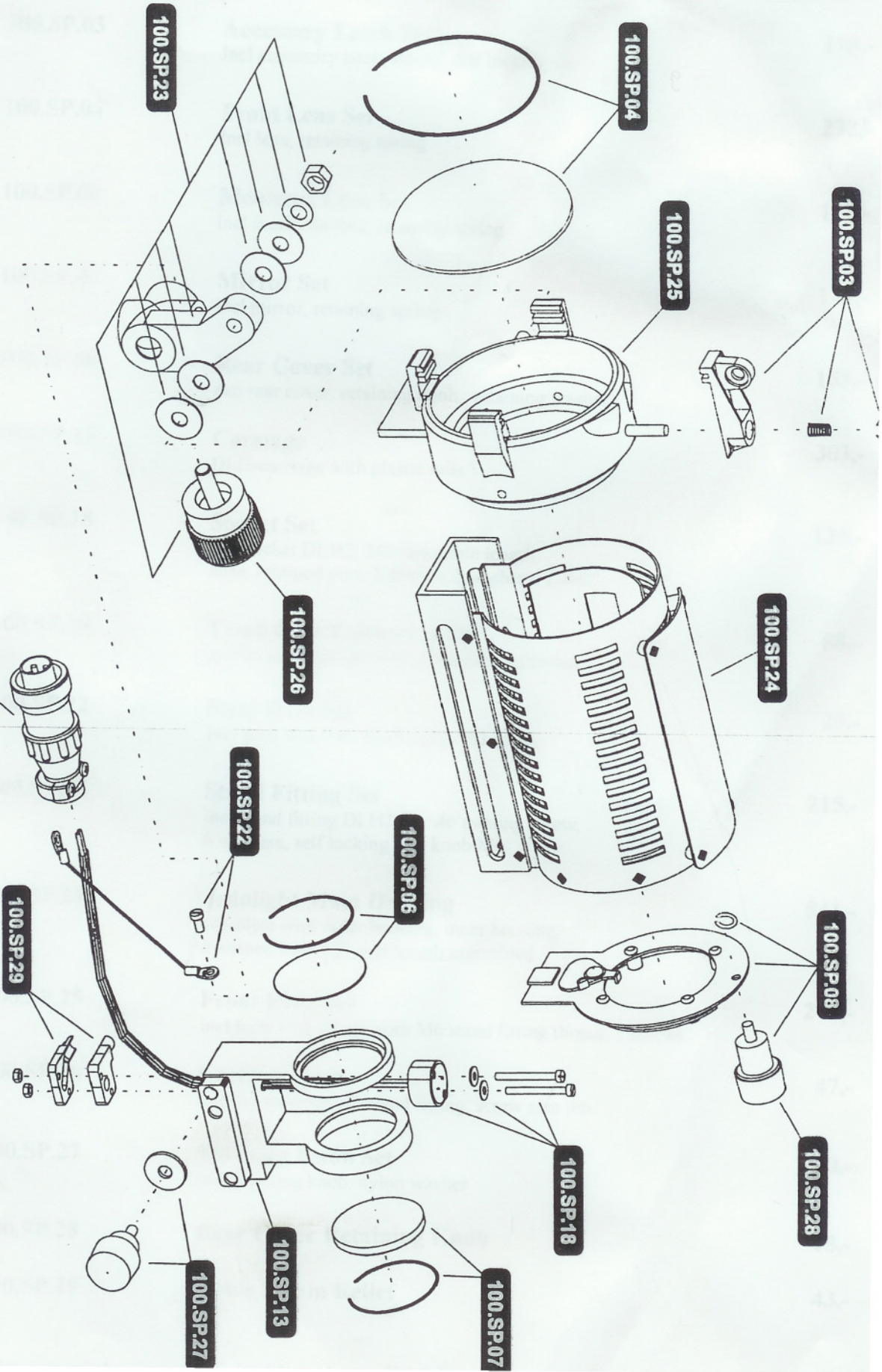


SN >68.000

04/99 - DLH2-68000-Spares

# DLH2 Spare Part List



DLH2/DLH4 Spare Part List /from SN 68 000

<b>100.SP.03</b>	<b>Accessory Latch Set</b> Incl.accessory latch, spring, self locking nut	<b>198,-</b>
<b>100.SP.04</b>	<b>Front Lens Set</b> Incl lens, retaining spring	<b>248,-</b>
<b>100.SP.06</b>	<b>Meniscus Lens Set</b> Incl. meniscus lens, retaining spring	<b>210,-</b>
<b>100.SP.07</b>	<b>Mirror Set</b> Incl. mirror, retaining spring	<b>156,-</b>
<b>100.SP.08</b>	<b>Rear Cover Set</b> Incl. rear cover, retaining knob, retaining washer	<b>165,-</b>
<b>100.SP.13</b>	<b>Carriage</b> DLH-carriage with plastic rails	<b>320,-</b>
<b>100.SP.18</b>	<b>Socket Set</b> Incl. socket DLH2/DLH4, 240 mm cable length Hose, crimped pins, 2 screws, 2 washers, 2 nuts	<b>135,-</b>
<b>100.SP.20</b>	<b>Triad 4 pin Connector Set</b> Incl. housing, strain relief, 2 pins for soldering	<b>92,-</b>
<b>100.SP.22</b>	<b>Steel Wire Set</b> Incl. steel wire 140 mm length, M3 screw	<b>32,-</b>
<b>100.SP.23</b>	<b>Stand Fitting Set</b> Incl. stand fitting DLH2/DLH4 for M6 mounting screw, 6 washers, self locking nut, knob M6	<b>235,-</b>
<b>100.SP.24</b>	<b>Dedolight Main Housing</b> Complete with outer housing, inner housing, u-shaped base <u>123 mm length</u> assembled	<b>875,-</b>
<b>100.SP.25</b>	<b>Front Ring Set</b> Incl. front ring DLH2/DLH4 with M6 stand fitting thread, 3 screws	<b>285,-</b>
<b>100.SP.26</b>	<b>Locking Knob</b> Locking Knob DLH2/DLH4 stand fitting, screw size M6	<b>53,-</b>
<b>100.SP.27</b>	<b>Focusing Knob Set</b> Incl. focusing knob, nylon washer	<b>22,-</b>
<b>100.SP.28</b>	<b>Rear Cover Retaining Knob</b>	<b>20,-</b>
<b>100.SP.29</b>	<b>Cable Strain Relief</b>	<b>46,-</b>
	<b>Male 3 pins XLR connector</b>	<b>90,-</b>
	<b>Female 3 pins XLR connector</b>	<b>120,-</b>
<b>925.SP.16-E</b>	<b>Kretskort for DT24-1 (24V)</b>	<b>798,-</b>
<b>912.SP.05</b>	<b>Kretskort for DIMTA3 (12V)</b>	<b>398,-</b>

Alle priser er eks mva. Det gis ikke rabatt på deler.  
Vennligst oppgi serienummer på lampehus ved bestilling av reservedeler

Kamerakameratene a/s  
Neuberggata 14 b  
0367 OSLO

tlf: 22 55 81 00  
fax: 22 55 80 99  
e-post:info@kamerakameratene.no